

Duraplate™ Diffuser DDP-9

KEETON
INDUSTRIES



Our aeration systems use Duraplate™ self-cleaning, non-clogging membrane diffusers. The Duraplate diffuser is designed to create a large amount of laminar circulation to eliminate stratification. The Duraplate diffusers also offer a very high oxygen transfer rate to increase dissolved oxygen levels at all levels in the pond from the surface to the bottom. Due to their design, the Duraplate diffusers will not need to be removed for cleaning like many of the other diffuser designs on the market, and are backed by a lifetime warranty. The rotationally molded Duraplate diffuser shell is also fishhook resistant, making them an ideal choice for fishing ponds and lakes.

SPECS/INCLUSIONS

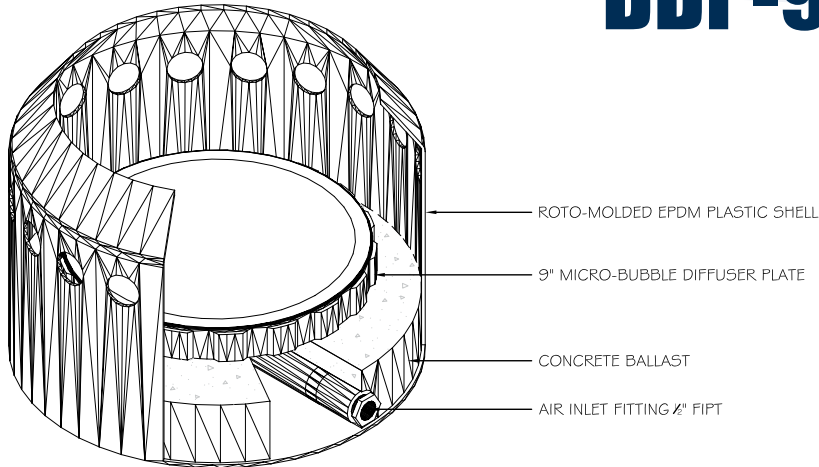
- SELF-CLEANING
- NON-CLOGGING
- SELF-WEIGHTED
- FISHHOOK RESISTANT
- HIGH OXYGEN TRANSFER
- LIFETIME WARRANTY

Model	Feature
DDP-9	9" diameter Diffuser Membrane

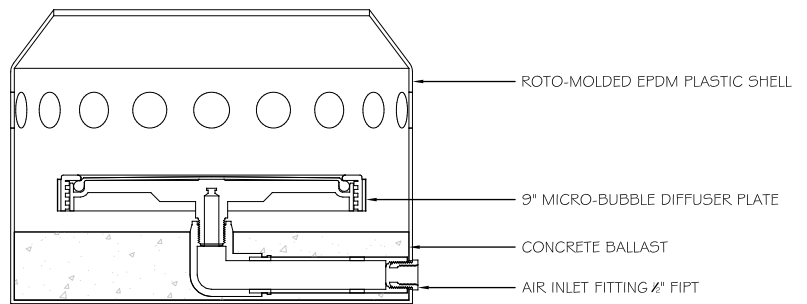
OTHER PONDS AND LAKES ARE GREEN WITH ENVY™

1520 Aquatic Drive, Wellington CO 80549 • KeetonAquatics.com • toll-free: 800.493.4831 • fax: 970.568.7795

Duraplate™ Diffuser DDP-9

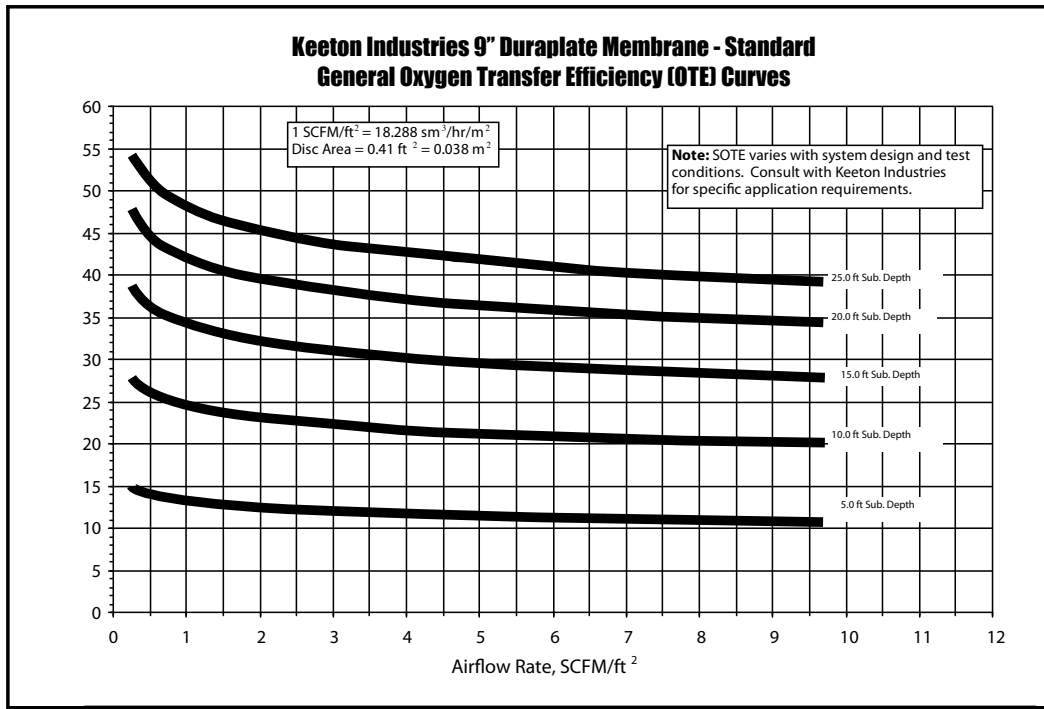


DDP-9 - CUT VIEW
NOT TO SCALE



DDP-9 - SECTION VIEW

Duraplate Diffuser Performance Curves



CAD Drawings Available

© 2010 Keeton Industries. All rights reserved.
Other Ponds And Lakes Are Green With Envy™ is a registered trademark and Duraplate™ is a trademarks of Keeton Industries, Inc.



OTHER PONDS AND LAKES ARE GREEN WITH ENVY™

1520 Aquatic Drive, Wellington CO 80549 • KeetonAquatics.com • toll-free: 800.493.4831 • fax: 970.568.7795